



**Tomato Squeezers**  
*Models TS-IT-0110-S, 0110-M, 0110-L*  
*Items 18901, 18902, 18903*  
**Instruction Manual**



*Revised - 02/27/2023*



---

Toll Free: 1-800-465-0234  
Fax: 905-607-0234  
Email: [service@omcan.com](mailto:service@omcan.com)  
[www.omcan.com](http://www.omcan.com)



# ***Table of Contents***

Model TS-IT-0110-S / Model TS-IT-0110-M / Model TS-IT-0110-L

---

| <b>Section</b>                 | <b>Page</b> |
|--------------------------------|-------------|
| General Information -----      | 3 - 4       |
| Safety and Warranty -----      | 4 - 5       |
| Technical Specifications ----- | 6           |
| Operation -----                | 6           |
| Maintenance -----              | 7           |
| Parts Breakdown -----          | 8 - 10      |
| Electrical Schematics -----    | 11          |
| Notes -----                    | 12 - 14     |
| Warranty Registration -----    | 15          |



# General Information

---

Omcan Manufacturing and Distributing Company Inc., Food Machinery of America, Inc. dba Omcan and Omcan Inc. are not responsible for any harm or injury caused due to any person's improper or negligent use of this equipment. The product shall only be operated by someone over the age of 18, of sound mind, and not under the influence of any drugs or alcohol, who has been trained in the correct operation of this machine, and is wearing authorized, proper safety clothing. Any modification to the machine voids any warranty, and may cause harm to individuals using the machine or in the vicinity of the machine while in operation.

## CHECK PACKAGE UPON ARRIVAL

Upon receipt of an Omcan shipment please inspect for external damage. If no damage is evident on the external packaging, open carton to ensure all ordered items are within the box, and there is no concealed damage to the machine. If the package has suffered rough handling, bumps or damage (visible or concealed), please note it on the bill of lading before accepting the delivery and contact Omcan within 24 hours, so we may initiate a claim with the carrier. A detailed report on the extent of the damage caused to the machine must be filled out within three days, from the delivery date shown in the shipping documents. Omcan has no recourse for damaged products that were shipped collect or third party.

**Before operating any equipment, always read and familiarize yourself with all operation and safety instructions.**

Omcan would like to thank you for purchasing this machine. It's of the utmost importance to save these instructions for future reference. Also save the original box and packaging for shipping the equipment if servicing or returning of the machine is required.

---

Omcan Fabrication et distribution Compagnie Limitée et Food Machinery d'Amérique, dba Omcan et Omcan Inc. ne sont pas responsables de tout dommage ou blessure causé du fait que toute personne ait utilisé cet équipement de façon irrégulière. Le produit ne doit être exploité que par quelqu'un de plus de 18 ans, sain d'esprit, et pas sous l'influence d'une drogue ou d'alcool, qui a été formé pour utiliser cette machine correctement, et est vêtu de vêtements de sécurité appropriés. Toute modification de la machine annule toute garantie, et peut causer un préjudice à des personnes utilisant la machine ou des personnes à proximité de la machine pendant son fonctionnement.

## VÉRIFIEZ LE COLIS DÈS RÉCEPTION

Dès réception d'une expédition d'Omcan veuillez inspecter pour dommages externes. Si aucun dommage n'est visible sur l'emballage externe, ouvrez le carton afin de s'assurer que tous les éléments commandés sont dans la boîte, et il n'y a aucun dommage dissimulé à la machine. Si le colis n'a subi aucune mauvaises manipulations, de bosses ou de dommages (visible ou cachée), notez-le sur le bond de livraison avant d'accepter la livraison et contactez Omcan dans les 24 heures qui suivent, pour que nous puissions engager une réclamation auprès du transporteur. Un rapport détaillé sur l'étendue des dommages causés à la machine doit être rempli dans un délai de trois jours, à compter de la date de livraison indiquée dans les documents d'expédition. Omcan n'a aucun droit de recours pour les produits endommagés qui ont été expédiés ou cueilli par un tiers transporteur.

# ***General Information***

---

**Avant d'utiliser n'importe quel équipement, toujours lire et vous familiariser avec toutes les opérations et les consignes de sécurité.**

**Omcan voudrais vous remercier d'avoir choisi cette machine. Il est primordial de conserver ces instructions pour une référence ultérieure. Également conservez la boîte originale et l'emballage pour l'expédition de l'équipement si l'entretien ou le retour de la machine est nécessaire.**

---

**Omcan Empresa De Fabricacion Y Distribucion Inc. Y Maquinaria De Alimentos De America, Inc. dba Omcan y Omcan Inc. no son responsables de ningun daño o perjuicio causado por cualquier persona inadecuada o el uso descuidado de este equipo. El producto solo podra ser operado por una persona mayor de 18 años, en su sano juicio y no bajo alguna influencia de droga o alcohol, y que este ha sido entrenado en el correcto funcionamiento de esta máquina, y ésta usando ropa apropiada y autorizada. Cualquier modificación a la máquina anula la garantía y puede causar daños a las personas usando la máquina mientras esta en el funcionamiento.**

## **REVISE EL PAQUETE A SU LLEGADA**

Tras la recepcion de un envio Omcan favor inspeccionar daños externos. Si no hay daños evidentes en el empaque exterior, Habra el carton para asegurarse que todos los articulos solicitados estén dentro de la caja y no encuentre daños ocultos en la máquina. Si el paquete ha sufrido un manejo de poco cuidado, golpes o daños (visible o oculto) por favor anote en la factura antes de aceptar la entrega y contacte Omcan dentro de las 24 horas, de modo que podamos iniciar una reclamación con la compañía. Un informe detallado sobre los daños causados a la máquina debe ser llenado en el plazo de tres días, desde la fecha de entrega que se muestra en los documentos de envío. Omcan no tiene ningun recurso por productos dañados que se enviaron a recoger por terceros.

**Antes de utilizar cualquier equipo, siempre lea y familiarizarse con todas las instrucciones de funcionamiento y seguridad.**

**Omcan le gustaría darle las gracias por la compra de esta máquina. Es de la mayor importancia para salvar estas instrucciones para futuras consultas. Además, guarda la caja original y el embalaje para el envío del equipo si servicio técnico o devolución de la máquina que se requiere.**

# ***Safety and Warranty***

---

## **IMPORTANT SAFEGUARDS**

**When using electrical appliances, basic safety precautions should always be followed including the following:**

- 1. Read all instructions.**
- 2. To protect against risks of electrical shock do not put in water or other liquid.**
- 3. Close supervision is necessary when any appliance is used by or near children.**



# Safety and Warranty

---

4. Unplug from outlet when not in use and before putting on or taking off parts and before cleaning.
5. Avoid contacting moving parts.
6. Do not operate any appliance with a damaged cord or plug or after the appliance malfunction, or if it is dropped or damaged in any manner. Call Omcan to arrange the examination, repair or electrical or mechanical adjustment.
7. The use of attachments not recommended or sold by Omcan may cause fire, electric shock or injury.
8. Do not use outdoors.
9. Do not let cord hang over edge of table or counter.
10. Never feed food or dough by hand. Always use food pusher.
11. Blades are sharp. Handle carefully.
12. Do not use fingers to scrape food away from discharge disc while appliance is operating. Cut type injury may result.
13. This appliance is not intended for use by persons (including children) with reduced physical, sensory or mental capabilities, or lack of experience and knowledge, unless they have been given supervision or instruction concerning use of the appliance by a person responsible for their safety.
14. Acoustic level less than 60 dBA.

**RESIDENTIAL USERS: Vendor assumes no liability for parts or labor coverage for component failure or other damages resulting from installation in non-commercial or residential applications. The right is reserved to deny shipment for residential usage; if this occurs, you will be notified as soon as possible.**

## **1 YEAR PARTS AND LABOUR BENCH WARRANTY**

**Within the warranty period, contact Omcan Inc. at 1-800-465-0234 to schedule a drop off to either an Omcan authorized service depot in the area, or to an Omcan Service warehouse to repair the equipment.**

**Unauthorized maintenance will void the warranty. Warranty covers electrical and part failures, not improper use.**

**Please see <https://omcan.com/disclaimer> for complete info.**

### **WARNING:**

The packaging components are classified as normal solid urban waste and can therefore be disposed of without difficulty.

**In any case, for suitable recycling, we suggest disposing of the products separately (differentiated waste) according to the current norms.**

**DO NOT DISCARD ANY PACKAGING MATERIALS IN THE ENVIRONMENT!**

# Technical Specifications

Single-phase asynchronous electric motor for continuous service 500 W. Fan cover cap, switch/capacitor box and cooling fan made in plastic material. Watertight IP X5 motorization. Axial reduction gear in oil bath. Long-life oil suitable for occasional food contact.

| Model                | TS-IT-0110-S                            | TS-IT-0110-M                         | TS-IT-0110-L                           |
|----------------------|---|--------------------------------------|--|
| Power                | 0.3 HP / 224 W                          | 0.4 HP / 298 W                       | 0.8 HP / 597 W                         |
| Worm RPM             | 110                                     |                                      |  |
| Electrical           | 110-120V / 60Hz / 1                     |                                      |  |
| Weight               | 20 lbs. / 9 kgs.                        | 31 lbs. / 14 kgs.                    | 40 lbs. / 18 kgs.                      |
| Packaging Weight     | 21 lbs. / 10 kgs.                       | 37 lbs. / 17 kgs.                    | 43 lbs. / 20 kgs.                      |
| Dimensions           | 20.5" x 9.5" x 14"<br>521 x 241 x 356mm | 27" x 12" x 13"<br>686 x 305 x 330mm | 28" x 11.5" x 17"<br>711 x 292 x 432mm |
| Packaging Dimensions | 16" x 9" x 11"<br>406 x 229 x 279mm     | 21" x 12" x 13"<br>553 x 305 x 330mm | 21" x 12" x 13"<br>533 x 305 x 330mm   |
| Item Number          | 18901                                   | 18902                                | 18903                                  |

## Operation

### TOMATO SQUEEZER UNIT

All numbers refer to the "Parts Breakdown" section of the manual.

Tomato squeezer propeller made in acetal resin suitable for food contact, body in cast iron tested for foodstuffs and treated with epoxy paint for foodstuffs. Nylon tow pin inserted on tin-plated steel. Filter cone, funnel and drip pan are entirely made of 18/10 stainless steel.

For space requirements, the machine is partially disassembled in the packing; it is necessary to insert the tow pin with the spring into the hole in the cast iron body (9). Insert the propeller (10) into the cast iron body fitting it onto the square of the tow pin. Then put the filter cone (11) onto the propeller pressing and turning it counterclockwise to fit the tabs of the ring nut into the niches in the cast iron body. Screw the funnel (8) onto the threaded neck of the cast iron body and hook the drip pan (12) onto the filter cone and onto the cast iron casing by means of the clips. The machine is then ready for use: the machine must definitely not be run dry (with no tomato).

If the propeller (10) jams, before taking any further action on the machine put the switch onto the "OFF" (-0-) position and unplug from the electrical socket. When the work is finished, unscrew the funnel (8), unhook the drip pan (12), turn the filter cone (11) clockwise to remove the propeller (10) and the tow pin with the spring. Remove the cast iron casing (9) from the reduction gear cover (6), then wash, carefully dry and eventually grease all the parts that have come into contact with the food.

# *Maintenance*

---

- Before carrying out assembly, disassembly, die plate replacement and cleaning operations, switch off the motor and unplug the unit from the electrical socket, to avoid risks of electric shock.
- After every use disassemble, wash and dry all press parts carefully.
- In case of blockage of the press, disconnect the plug cable from the socket immediately to avoid risks of damage the machine.
- Close supervision is required when this product is used near children.

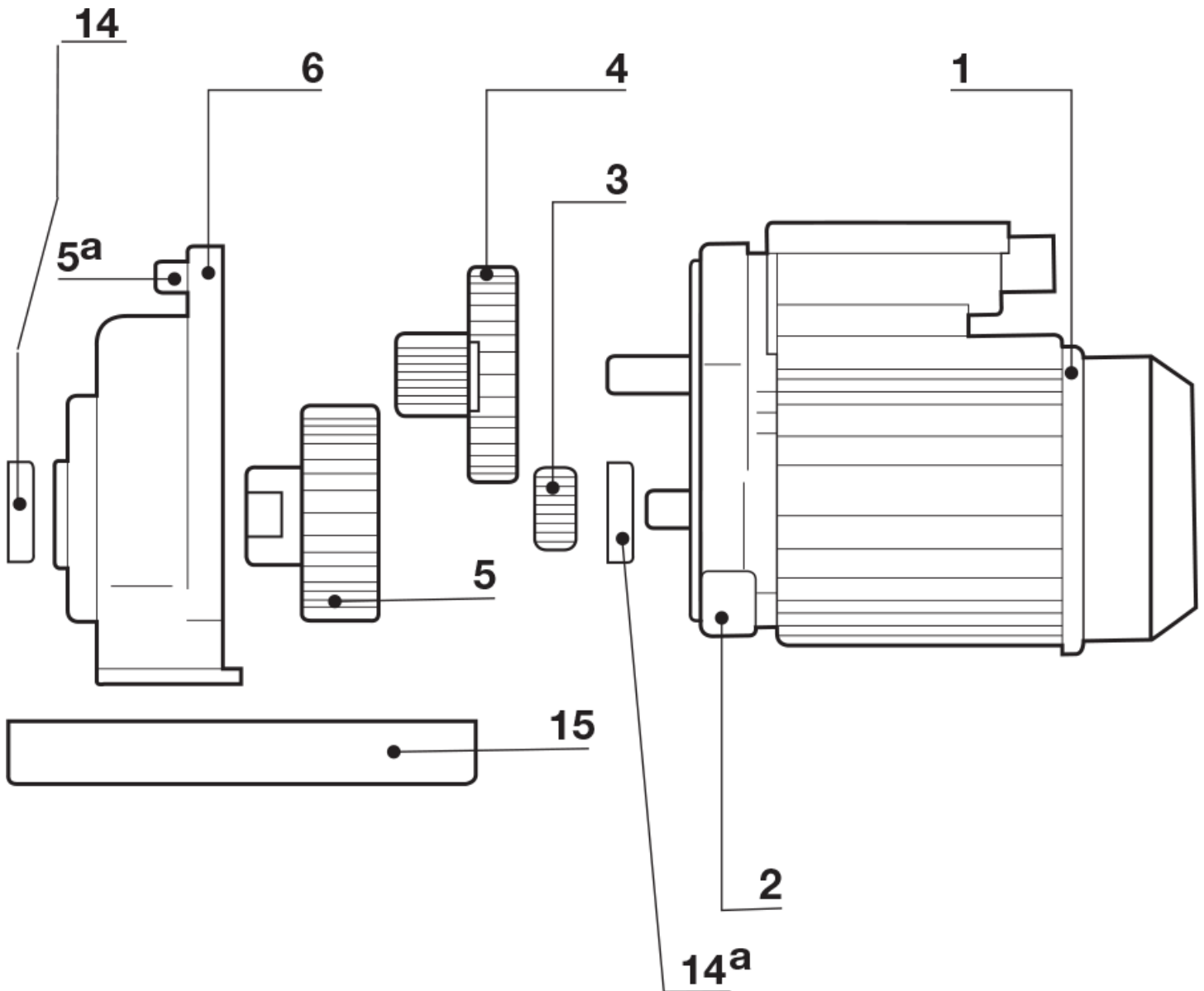
# Parts Breakdown

**Model TS-IT-0110-S** 18901

**Model TS-IT-0110-M** 18902

**Model TS-IT-0110-L** 18903

**Motor**



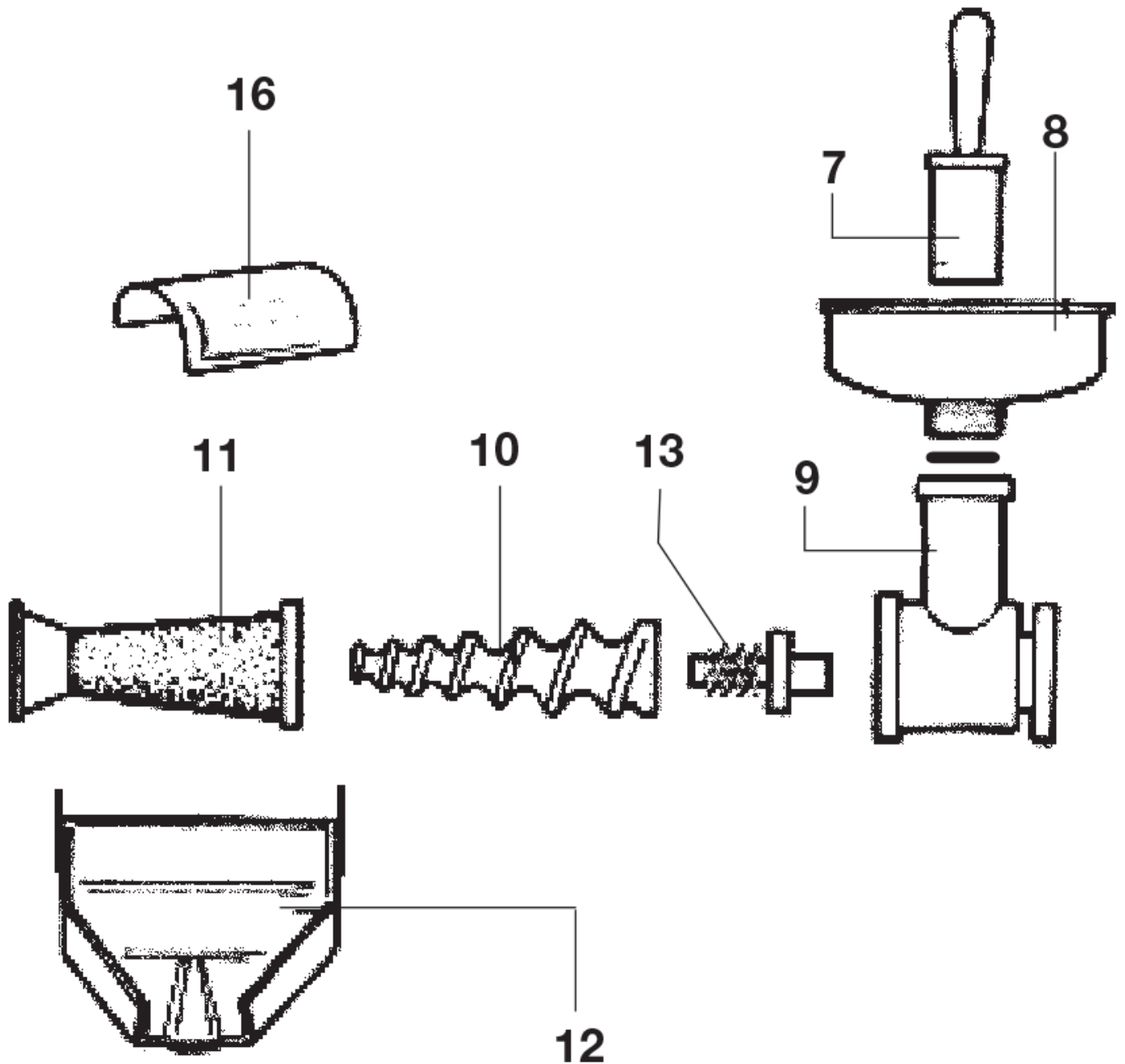


# Parts Breakdown

**Model TS-IT-0110-S** 18901

**Model TS-IT-0110-M** 18902

**Model TS-IT-0110-L** 18903



# Parts Breakdown

## Model TS-IT-0110-S 18901

| Item No. | Description                          | Position | Item No. | Description   | Position | Item No. | Description                             | Position |
|----------|--------------------------------------|----------|----------|---|----------|----------|---|----------|
| 70082    | Electric Motor for 18901             | 1        | 70089    | Pestle for 18901                                      | 7        | 24615    | Joint and Spring for 18901              | 13       |
| 70083    | Reduction Gear Flange for 18901      | 2        | 70090    | Funnel for 18901                                      | 8        | 70096    | Reduction Gear Cover Oil Seal for 18901 | 14       |
| 70084    | Small Gear for 18901                 | 3        | 70091    | Cast Iron Casing for 18901                            | 9        | 70097    | Reduction Gear Internal Seal for 18901  | 14A      |
| 70085    | Twin Gear for 18901                  | 4 - 5    | 24616    | Propeller for 18901                                   | 10       | 70098    | Base for 18901                          | 15       |
| 40628    | Rubber Cap Red for 18901             | 5A       | 24612    | Filter Cone Inox N.3 Standard Holes (1.5mm) for 18901 | 11       | 70099    | Splash Guard for 18901                  | 16       |
| 70088    | Reduction Gear Cover Black for 18901 | 6        | 70094    | Drip Pan for 18901                                    | 12       | 39340    | Rubber Gasket for 18901                 |          |

## Model TS-IT-0110-M 18902

| Item No. | Description                     | Position | Item No. | Description   | Position | Item No. | Description                            | Position |
|----------|---------------------------------|----------|----------|---|----------|----------|--|----------|
| 70063    | Electric Motor for 18902        | 1        | 70071    | Funnel for 18902                                      | 8        | 27857    | Gear Cover Oil Seal for 18902          | 14       |
| 70064    | Reduction Gear Flange for 18902 | 2        | 70054    | Cast Iron Casing for 18902                            | 9        | 70078    | Reduction Gear Internal Seal for 18902 | 14A      |
| 27858    | 1020 SER Gears for 18902        | 3 - 5    | 24596    | Worm for 18902  | 10       | 70079    | Base for 18902                         | 15       |
| 40628    | Rubber Cap Red for 18902        | 5A       | 24611    | Filter Cone Inox N.5 Standard Holes (1.5mm) for 18902 | 11       | 70062    | Splash Guard for 18902                 | 16       |
| 70069    | Reduction Gear Cover for 18902  | 6        | 44746    | Drip Pan for 18902                                    | 12       | 39339    | Rubber Gasket for 18902                |          |
| 70052    | Pestle for 18902                | 7        | 24614    | Joint and Spring for 18902                            | 13       |          |  |          |

## Model TS-IT-0110-L 18903

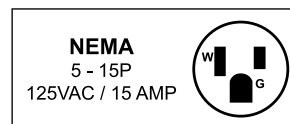
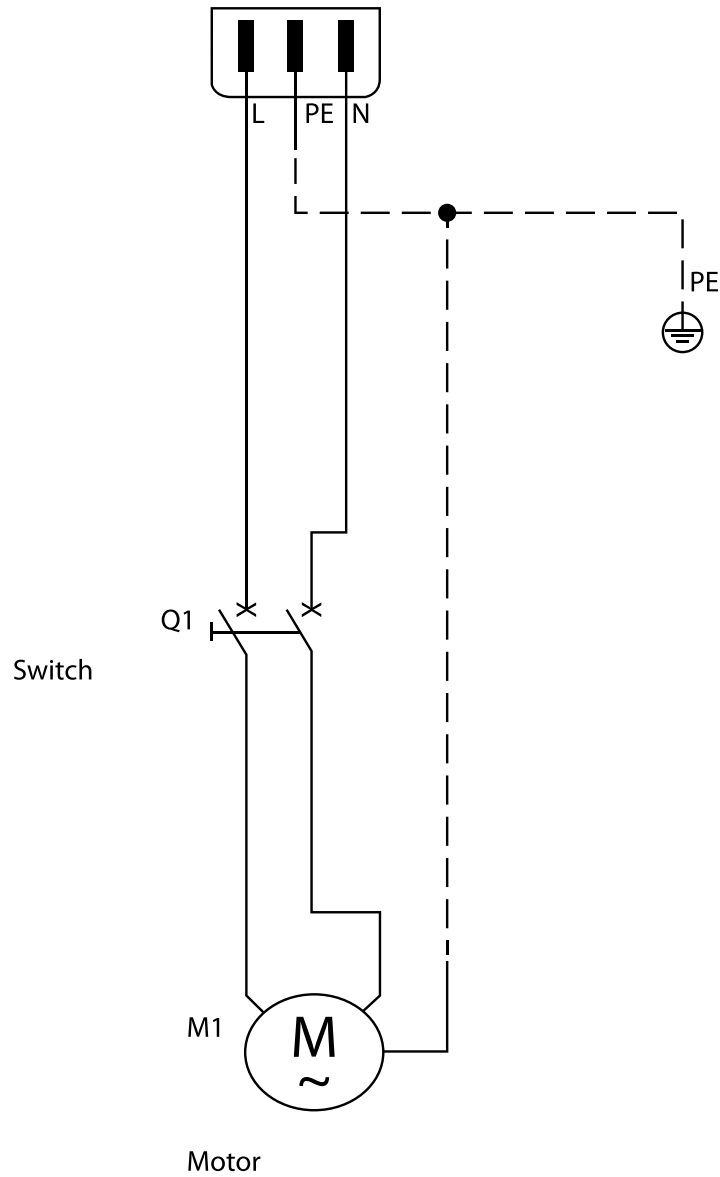
| Item No. | Description                     | Position | Item No. | Description   | Position | Item No. | Description                            | Position |
|----------|---------------------------------|----------|----------|---|----------|----------|--|----------|
| 70045    | Electric Motor for 18903        | 1        | 70071    | Funnel for 18903                                      | 8        | 27857    | Gear Cover Oil Seal for 18903          | 14       |
| 70046    | Reduction Gear Flange for 18903 | 2        | 70054    | Cast Iron Casing for 18903                            | 9        | 70060    | Reduction Gear Internal Seal for 18903 | 14A      |
| 27858    | 1020 SER Gears for 18903        | 3 - 5    | 24596    | Worm for 18903  | 10       | 70061    | Base for 18903                         | 15       |
| 40628    | Rubber Cap Red for 18903        | 5A       | 24611    | Filter Cone Inox N.5 Standard Holes (1.5mm) for 18903 | 11       | 70062    | Splash Guard for 18903                 | 16       |
| 70051    | Reduction Gear Cover for 18903  | 6        | 44746    | Drip Pan for 18903                                    | 12       | 39339    | Rubber Gasket for 18903                |          |
| 70052    | Pestle for 18903                | 7        | 24614    | Joint and Spring for 18903                            | 13       |          |  |          |

# Electrical Schematics

**Model TS-IT-0110-S** 18901

**Model TS-IT-0110-M** 18902

**Model TS-IT-0110-L** 18903











# Warranty Registration

Thank you for purchasing an Omcan product. To register your warranty for this product, complete the information below, tear off the card at the perforation and then send to the address specified below. You can also register online by visiting:

Merci d'avoir acheté un produit Omcan. Pour enregistrer votre garantie pour ce produit, complétez les informations ci-dessous, détachez la carte au niveau de la perforation, puis l'envoyer à l'adresse spécifiée ci-dessous. Vous pouvez également vous inscrire en ligne en visitant:

Gracias por comprar un producto Omcan usted. Para registrar su garantía para este producto, complete la información a continuación, cortar la tarjeta en la perforación y luego enviarlo a la dirección indicada a continuación. También puede registrarse en línea en:

<https://omcan.com/warranty-registration/>

For mailing in Canada

Pour postale au Canada

Por correo en Canadá

**OMCAN**

PRODUCT WARRANTY REGISTRATION

3115 Pepper Mill Court,

Mississauga, Ontario

Canada, L5L 4X5

For mailing in the US

Pour diffusion aux États-Unis

Por correo en los EE.UU.

**OMCAN**

PRODUCT WARRANTY REGISTRATION

4450 Witmer Industrial Estates, Unit 4,

Niagara Falls, New York

USA, 14305

*or email to: [service@omcan.com](mailto:service@omcan.com)*



Purchaser's Information

Name: \_\_\_\_\_

Address: \_\_\_\_\_

City: \_\_\_\_\_ Province or State: \_\_\_\_\_ Postal or Zip: \_\_\_\_\_

Country: \_\_\_\_\_

Dealer from which Purchased: \_\_\_\_\_

Dealer City: \_\_\_\_\_ Dealer Province or State: \_\_\_\_\_

Invoice: \_\_\_\_\_

Model Name: \_\_\_\_\_ Model Number: \_\_\_\_\_

Machine Description: \_\_\_\_\_

Date of Purchase (MM/DD/YYYY): \_\_\_\_\_

Would you like to extend the warranty?  Yes  No

Company Name: \_\_\_\_\_

Telephone: \_\_\_\_\_

Email Address: \_\_\_\_\_

Type of Company:

Restaurant  Bakery  Deli

Butcher  Supermarket  Caterer

Institution (*specify*): \_\_\_\_\_

Other (*specify*): \_\_\_\_\_

Serial Number: \_\_\_\_\_

Date of Installation (MM/DD/YYYY): \_\_\_\_\_

**Thank you for choosing Omcan | Merci d'avoir choisi Omcan | Gracias por elegir Omcan**



Since 1951 Omcan has grown to become a leading distributor of equipment and supplies to the North American food service industry. Our success over these many years can be attributed to our commitment to strengthen and develop new and existing relationships with our valued customers and manufacturers. Today with partners in North America, Europe, Asia and South America, we continually work to improve and grow the company. We strive to offer customers exceptional value through our qualified local sales and service representatives who provide convenient access to over 6,500 globally sourced products.

---

Depuis 1951 Omcan a grandi pour devenir un des “leaders” de la distribution des équipements et matériel pour l’industrie des services alimentaires en Amérique du Nord. Notre succès au cours de ces nombreuses années peut être attribué à notre engagement à renforcer et à développer de nouvelles et existantes relations avec nos clients et les fabricants de valeur. Aujourd’hui avec des partenaires en Amérique du Nord, Europe, Asie et Amérique du Sud, nous travaillons continuellement à améliorer et développer l’entreprise. Nous nous efforçons d’offrir à nos clients une valeur exceptionnelle grâce à nos ventes locales qualifiées et des représentants de service qui offrent un accès facile à plus de 6500 produits provenant du monde entier.

---

Desde 1951 Omcan ha crecido hasta convertirse en un líder en la distribución de equipos y suministros de alimentos en América del Norte industria de servicios. Nuestro éxito en estos años se puede atribuir a nuestro compromiso de fortalecer y desarrollar nuevas relaciones existentes con nuestros valiosos clientes y fabricantes. Hoy con socios de América del Norte, Europa, Asia y América del Sur, que trabajan continuamente para mejorar y crecer la empresa. Nos esforzamos por ofrecer a nuestros clientes valor excepcional a través de nuestro local de ventas y representantes de los servicios que proporcionan un fácil acceso a más de 6,500 productos con origen a nivel mundial.

